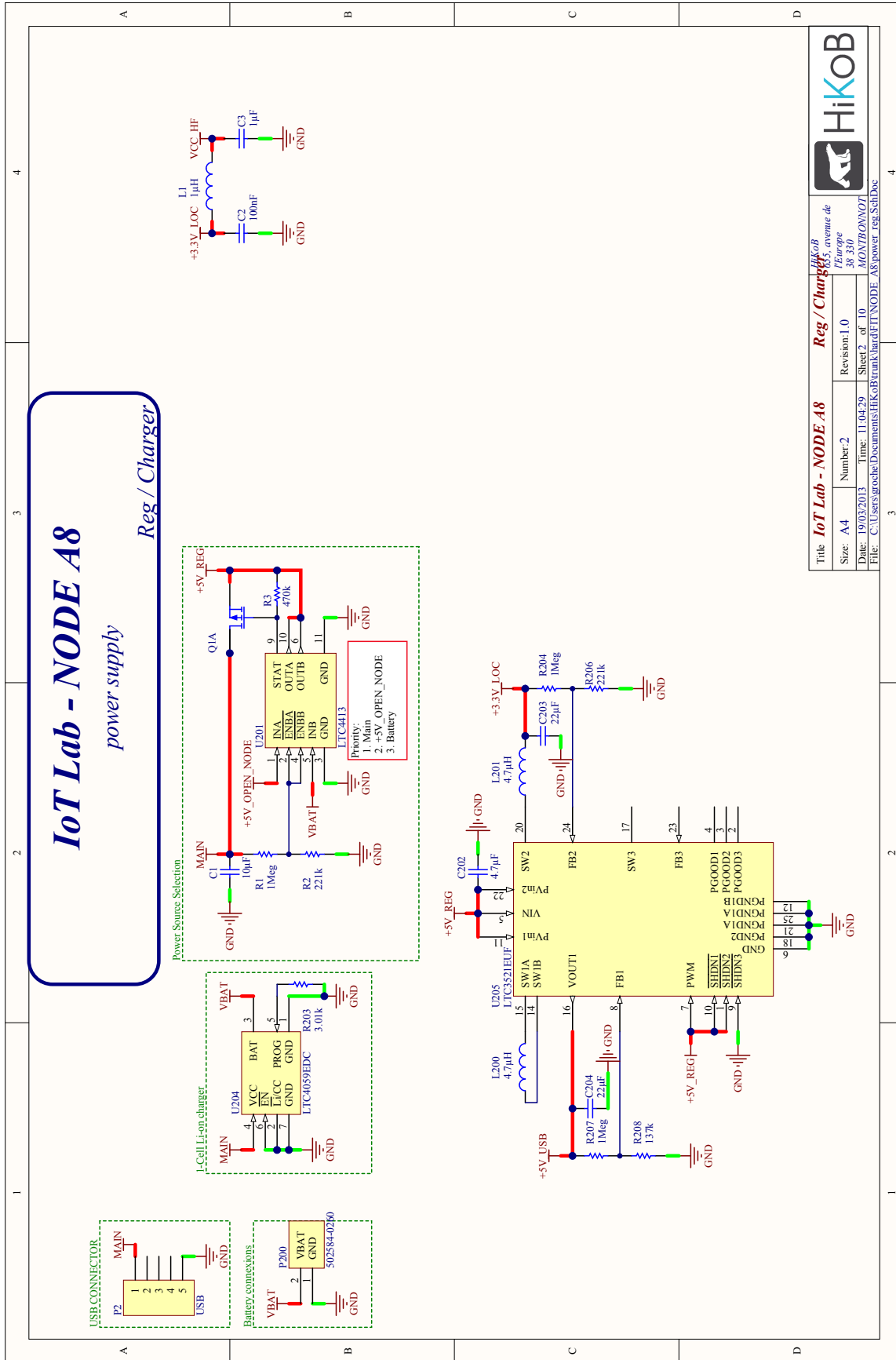
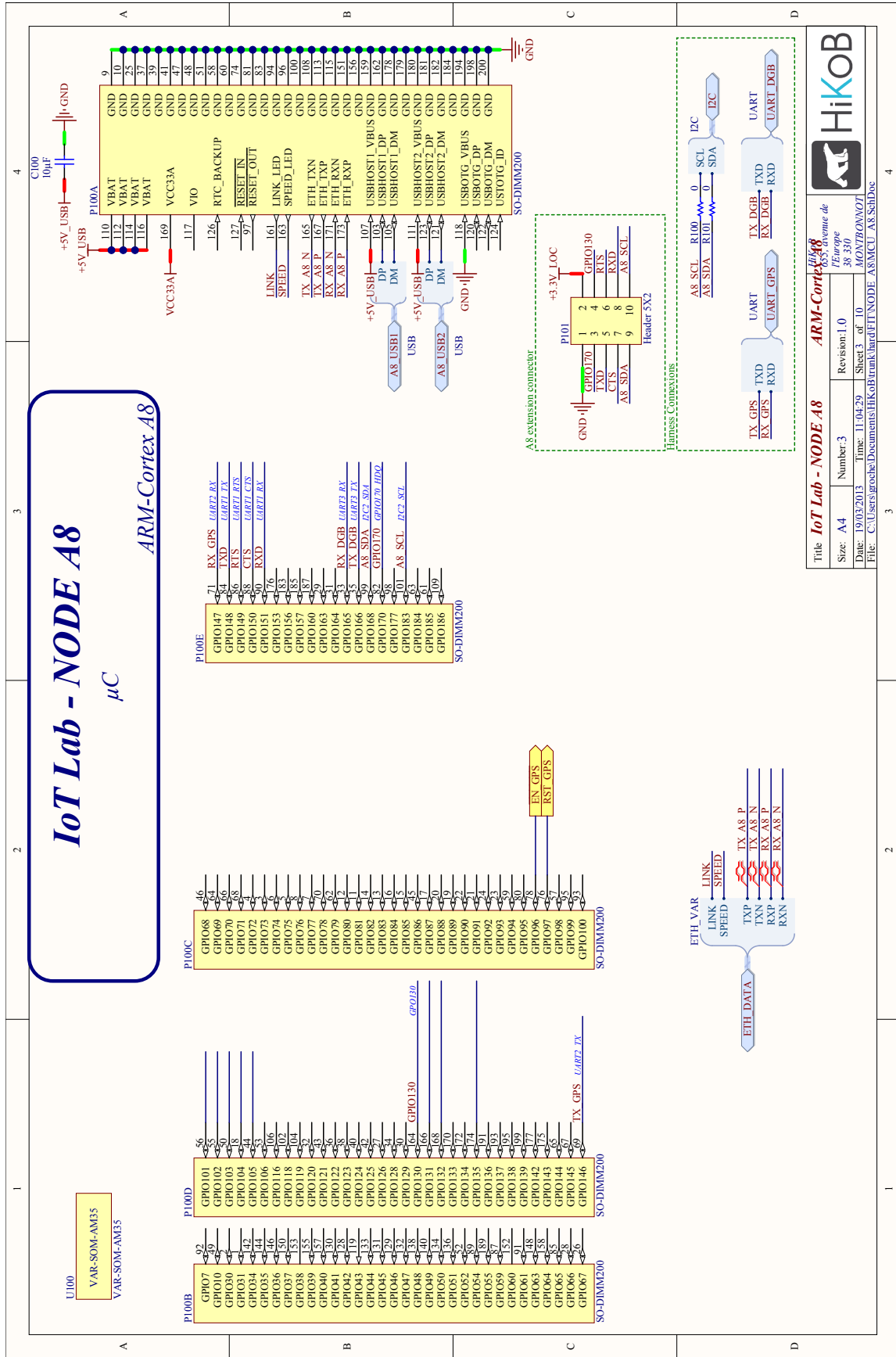


### 3.2 Power Supply - Regulator / Charger :



### 3.3 ARM - Cortex-A8 :



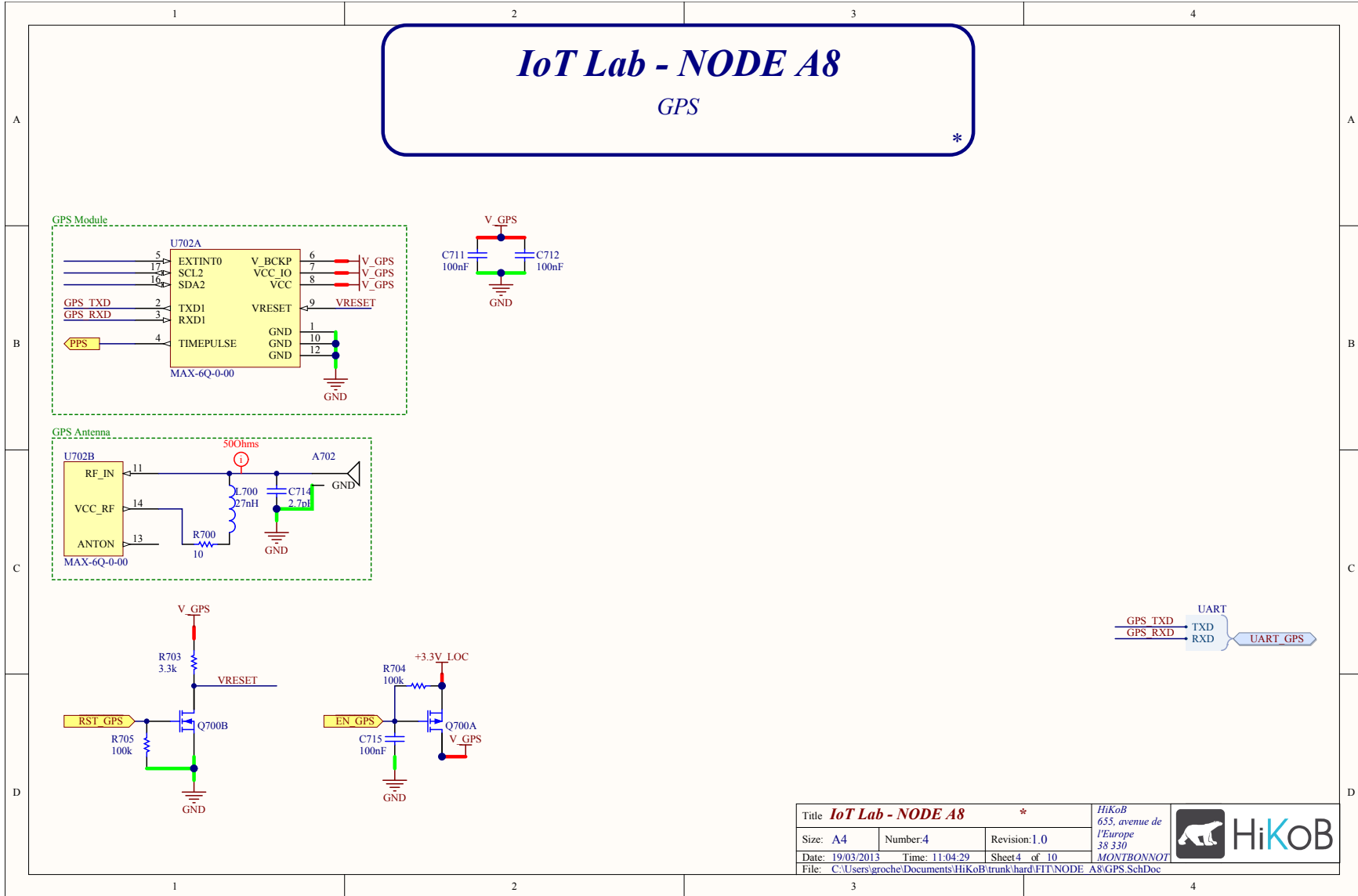
**ARM-Cortex A8**

Title: <b>IoT Lab - NODE A8</b>	
Size: A4	Number: 3
Date: 19/03/2013	Time: 11:04:29
Revision: 1.0	Sheet 3 of 10
File: C:\Users\groehje\Documents\HiKob\trunk\hard\FTT\NODE_A8\MCU_A8_SchDoc	

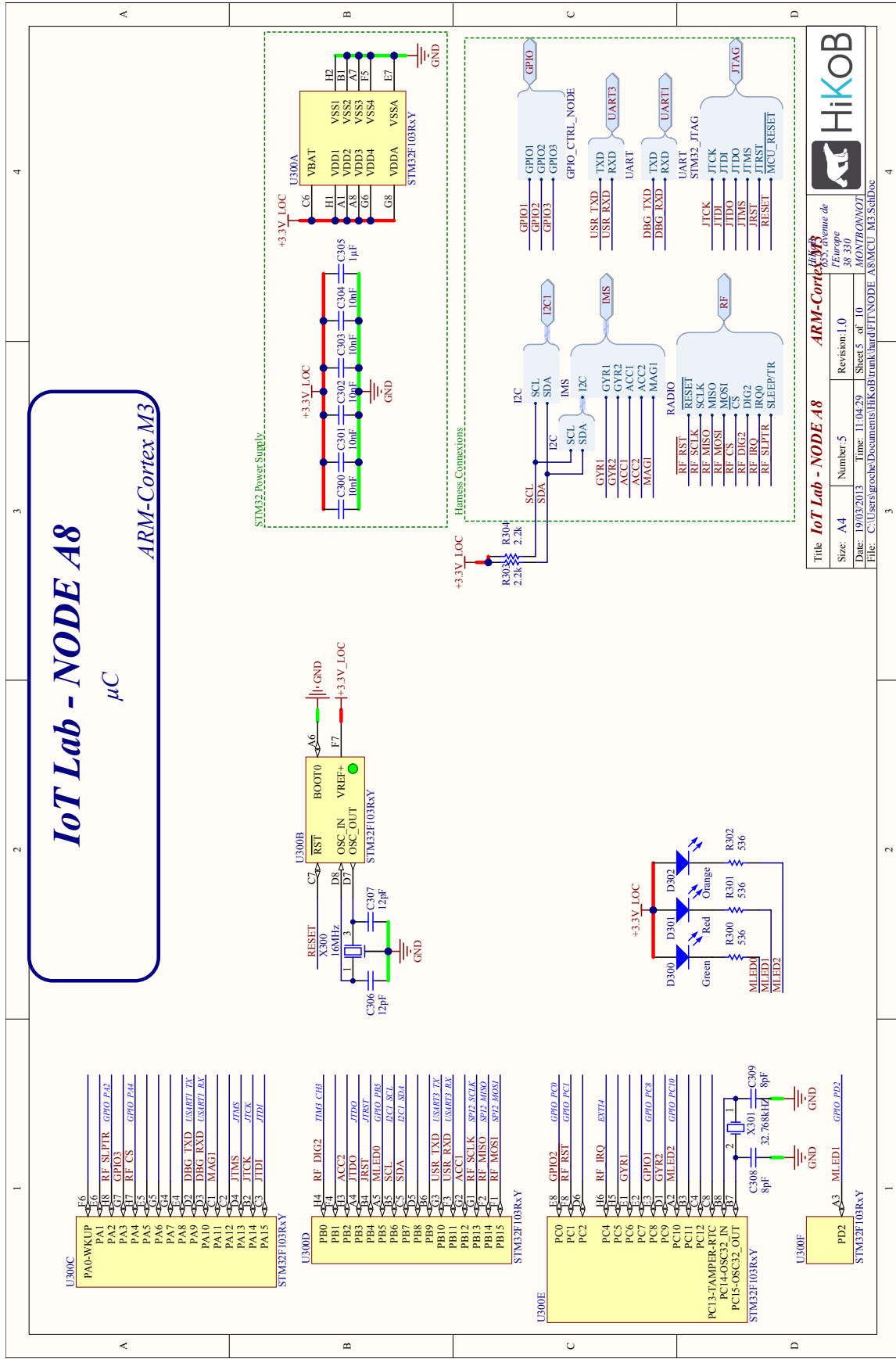
105 avenue de l'Europe  
 MONTRONNOT  
 38 330



### 3.4 GPS

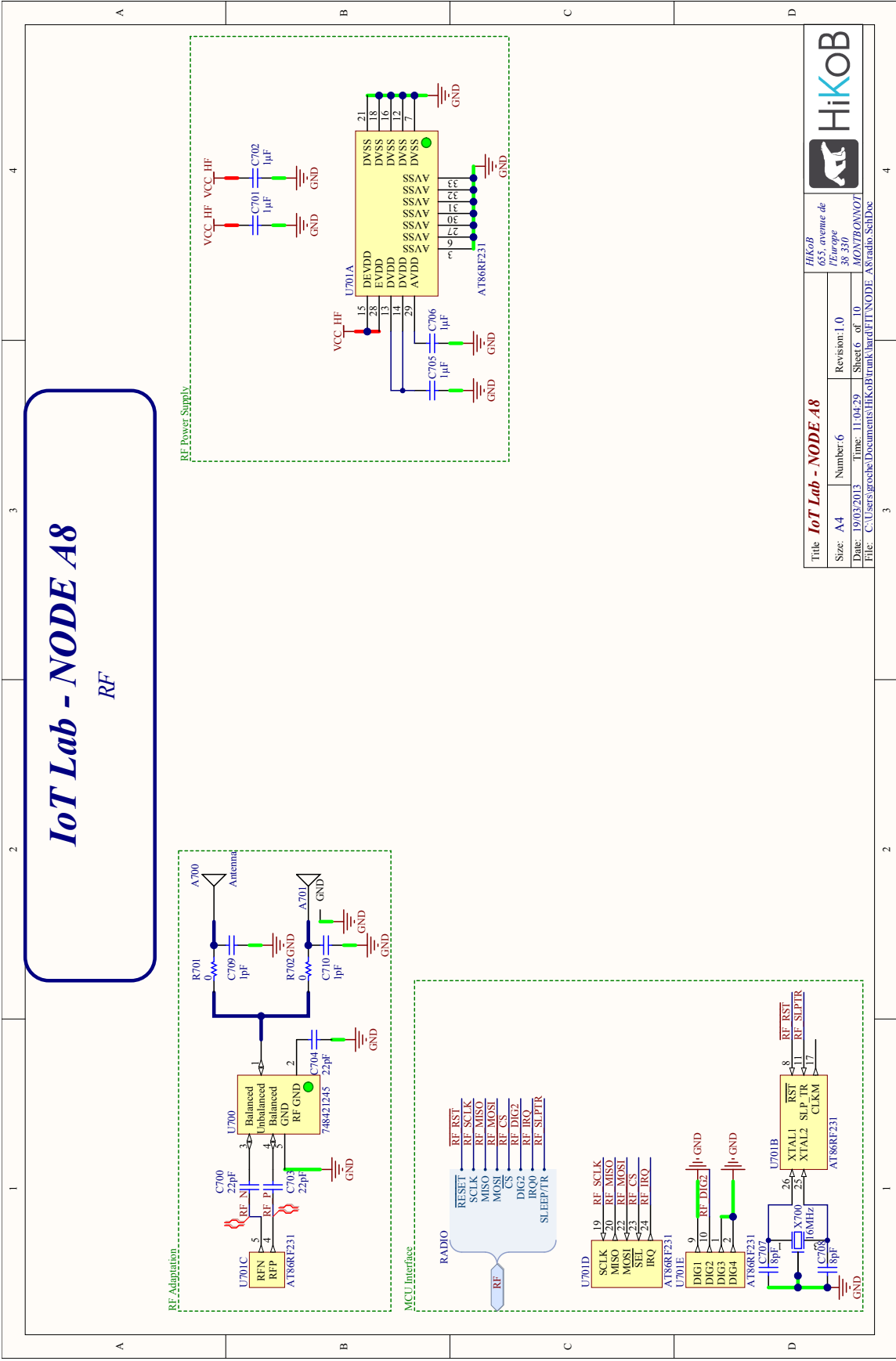


### 3.5 ARM - Cortex-M3:



### 3.6 Wireless

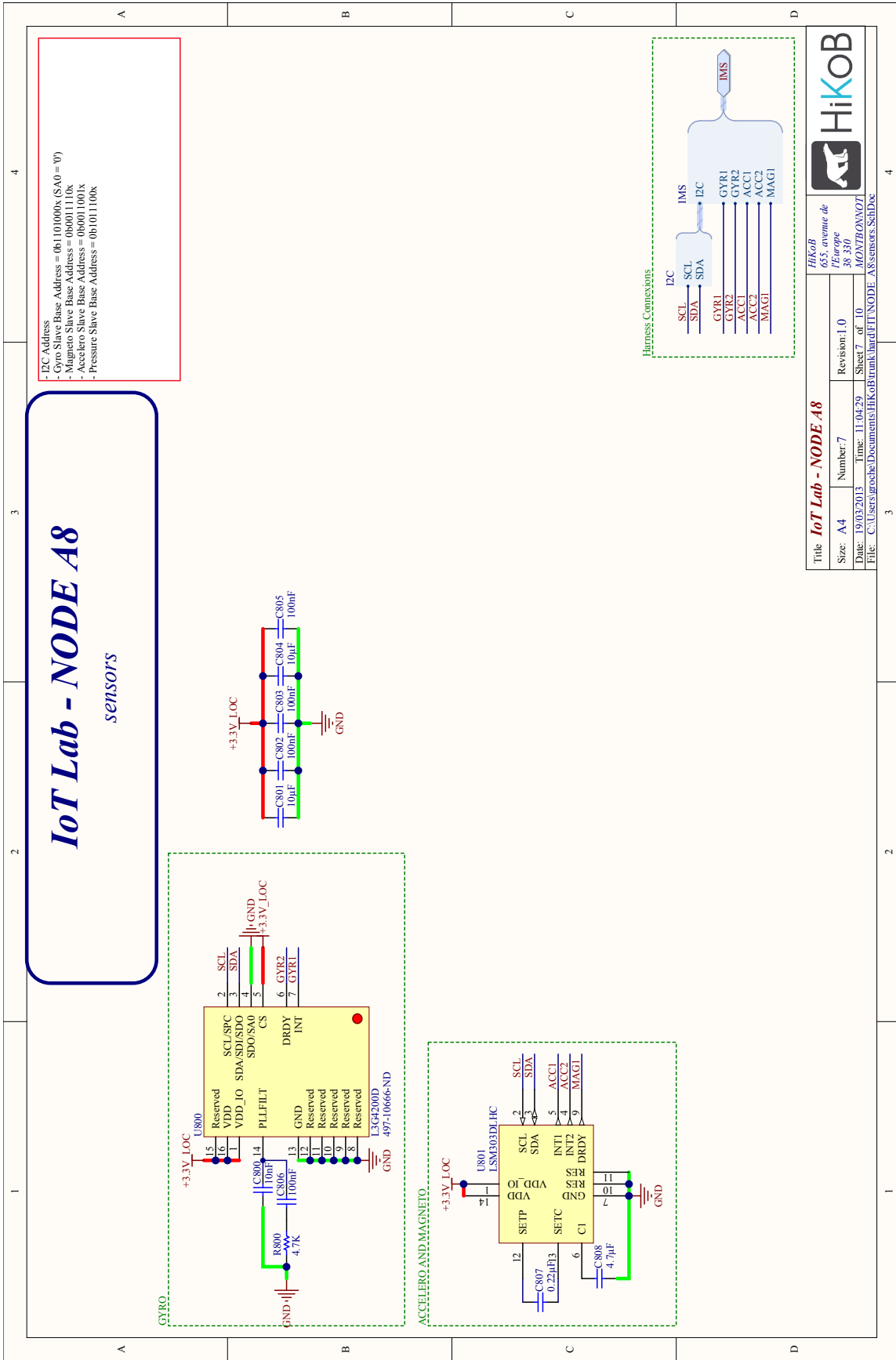
# IoT Lab - NODE A8 RF



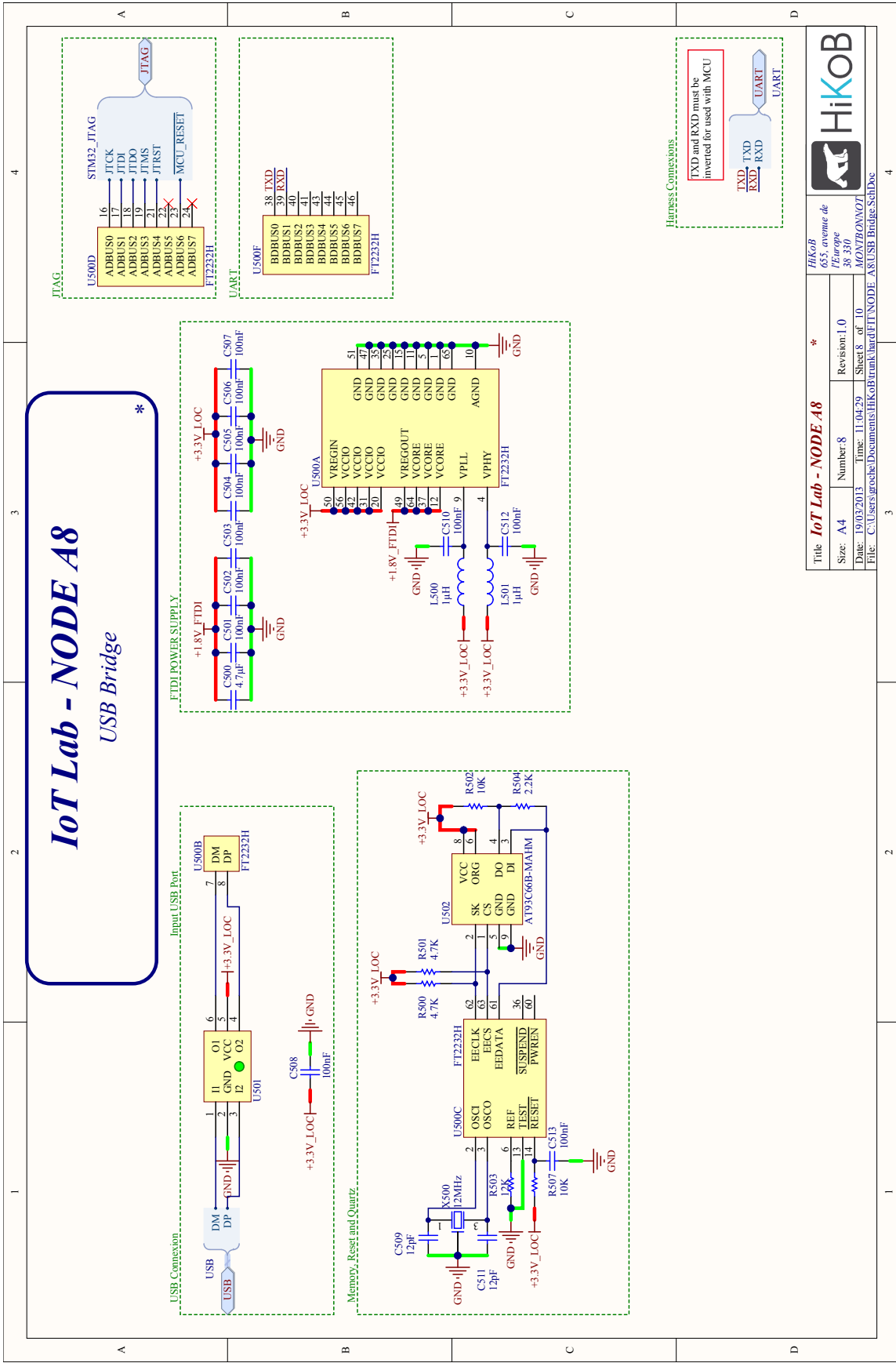
Title <b>IoT Lab - NODE A8</b>		HiKoB	
Size: A4	Number: 6	Revision: 1.0	HiKoB
Date: 19/03/2013	Time: 11:04:29	Sheet 6 of 10	635, avenue de l'Europe
File: C:\Users\groche\Documents\HiKoB\trunk\hard\FTT\NODE_A8\radio_SchDoc		38 330	
		MONTBRONNOT	



### 3.7 USB HUB



### 3.8 USB Converter UART - JTAG



### 3.9 USB Connexions

